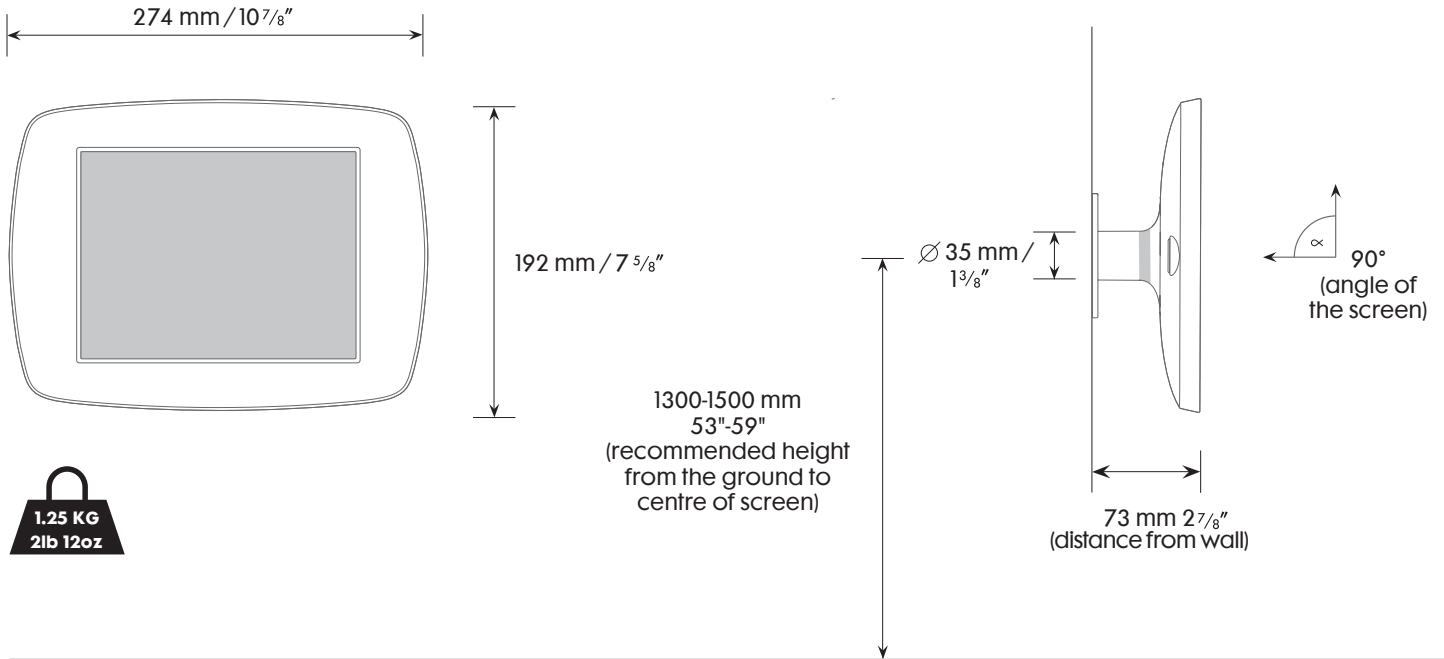
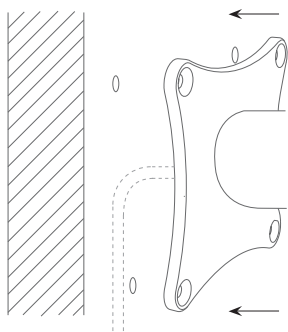


Data sheet : Bouncepad VESA

The Bouncepad VESA fixes squarely on vertical surfaces and has a VESA compatible mounting system. You can attach the Bouncepad VESA to a range of third party articulating arms to suit your needs.

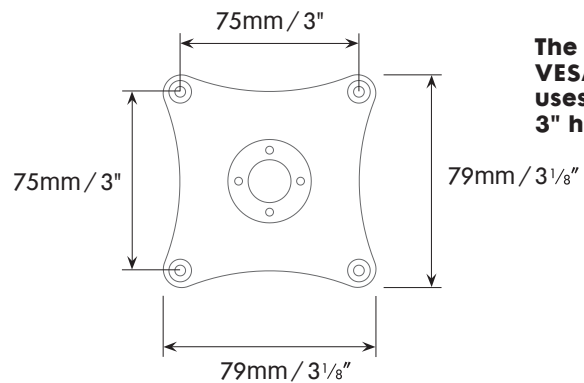


Mounting Options



Mount onto wall surface

VESA Compatibility



The Bouncepad VESA mount uses the 75mm / 3" hole pattern.

Materials

- Tablet case** PC/ABS
- Faceplate** Stainless Steel (powdercoated)
- Mounting arm** Steel

Configuration Options

- Colour** White/Black/Custom
- Feature access** Exposed home button & Exposed front camera /
Covered home button & Covered front camera
- Tablet models** iPad mini / Venue Pro 8 / Galaxy Tab 3 8.0 /
Galaxy Note 8.0
- Cable** Not provided