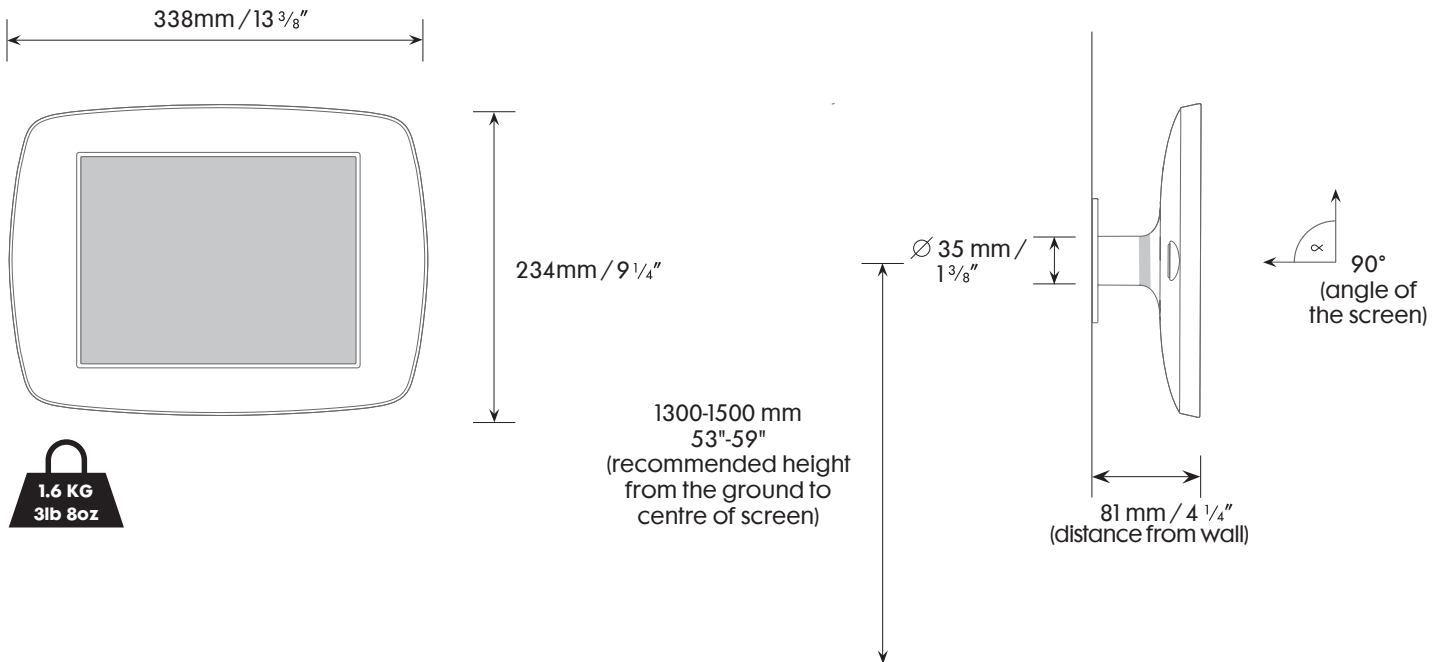
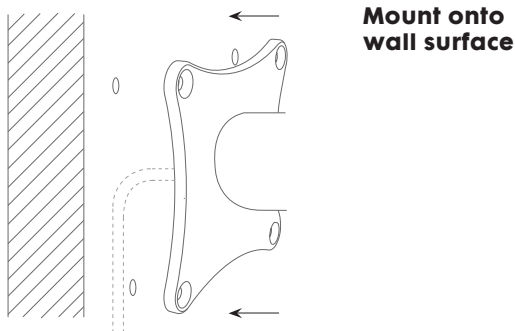


Data sheet : Bouncepad Vesa

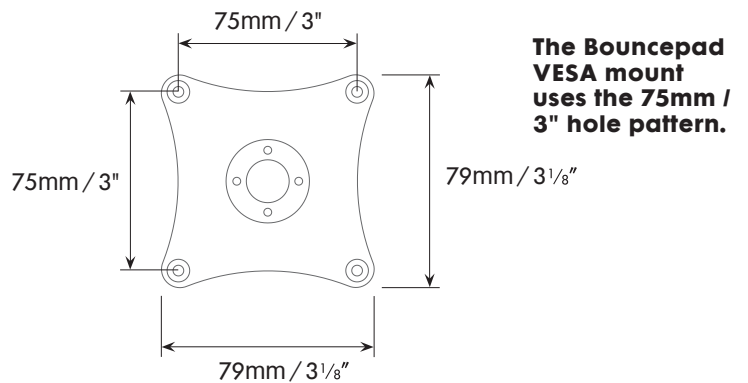
The Bouncepad VESA fixes squarely on vertical surfaces and has a VESA compatible mounting system. You can attach the Bouncepad VESA to a range of third party articulating arms to suit your needs.



Mounting Options



VESA Compatibility



Materials

- Tablet case** PC/ABS
- Faceplate** Stainless Steel (powdercoated)
- Mounting arm** Steel

Configuration Options

- Colour** White/Black/Custom
- Feature access** Exposed home button & Exposed front camera / Covered home button & Covered front camera
- Tablet models** Galaxy Tab 3 10.1 / Galaxy Tab 4 10.1 / Galaxy Note 10.1 2014 / Galaxy TabPRO 10.1 / ATIV Tab 3 10.1 / Surface RT / Surface Pro
- Cable** Not provided