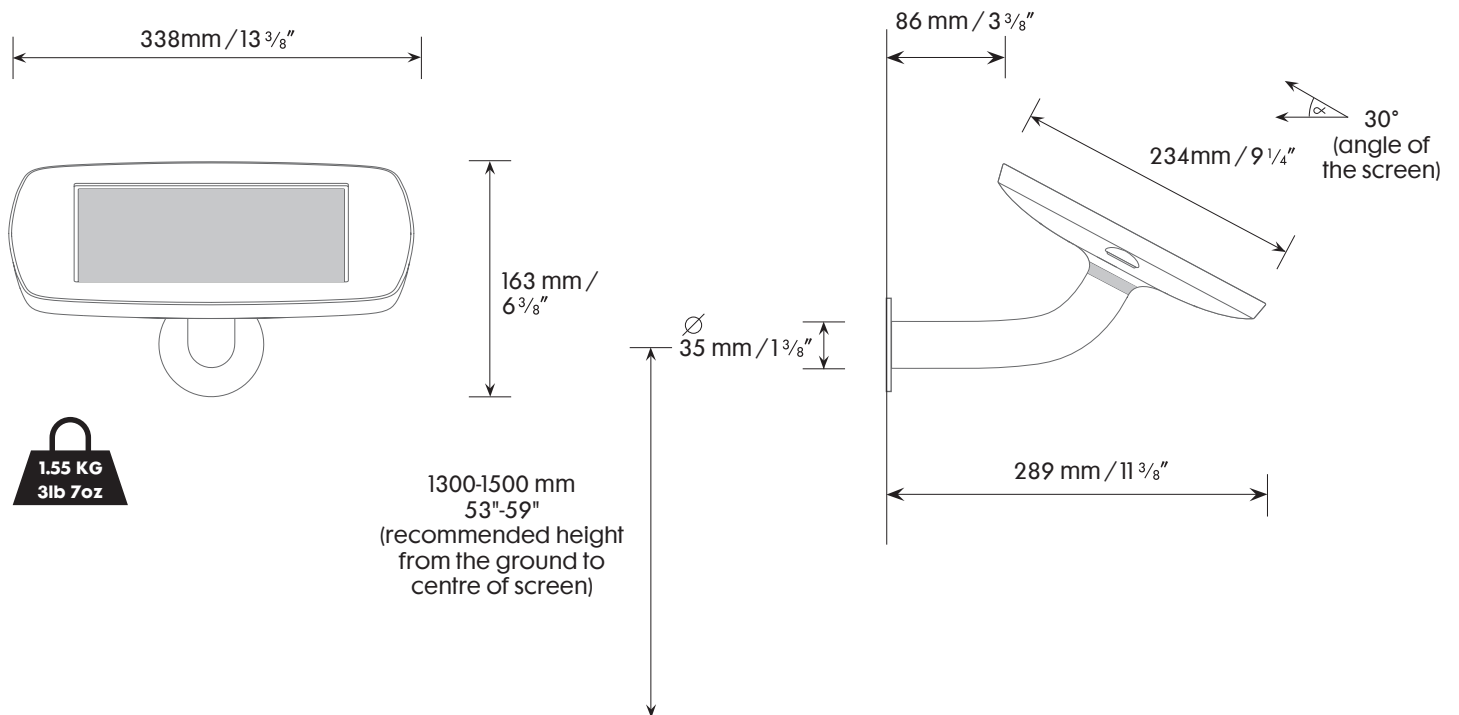
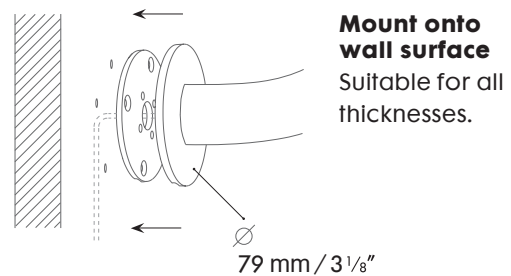
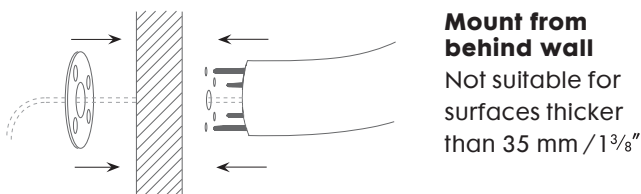


Data sheet : Bouncepad Branch

Branching up towards the user at a 30° angle, the Bouncepad Branch invites one-to-one interaction with your content, especially when mounted between waist and shoulder height.



Mounting Options



Materials

Tablet case	PC/ABS
Faceplate	Stainless Steel (powdercoated)
Mounting arm	Steel
Mounting plate	Aluminium

Configuration Options

Colour	White / Black / Custom
Feature access	Exposed home button & Exposed front camera / Covered home button & Covered front camera
Tablet models	Galaxy Tab 3 10.1 / Galaxy Tab 4 10.1 / Galaxy Note 10.1 2014 / Galaxy TabPRO 10.1 / ATIV Tab 3 10.1 / Surface RT / Surface Pro
Cable	Not provided